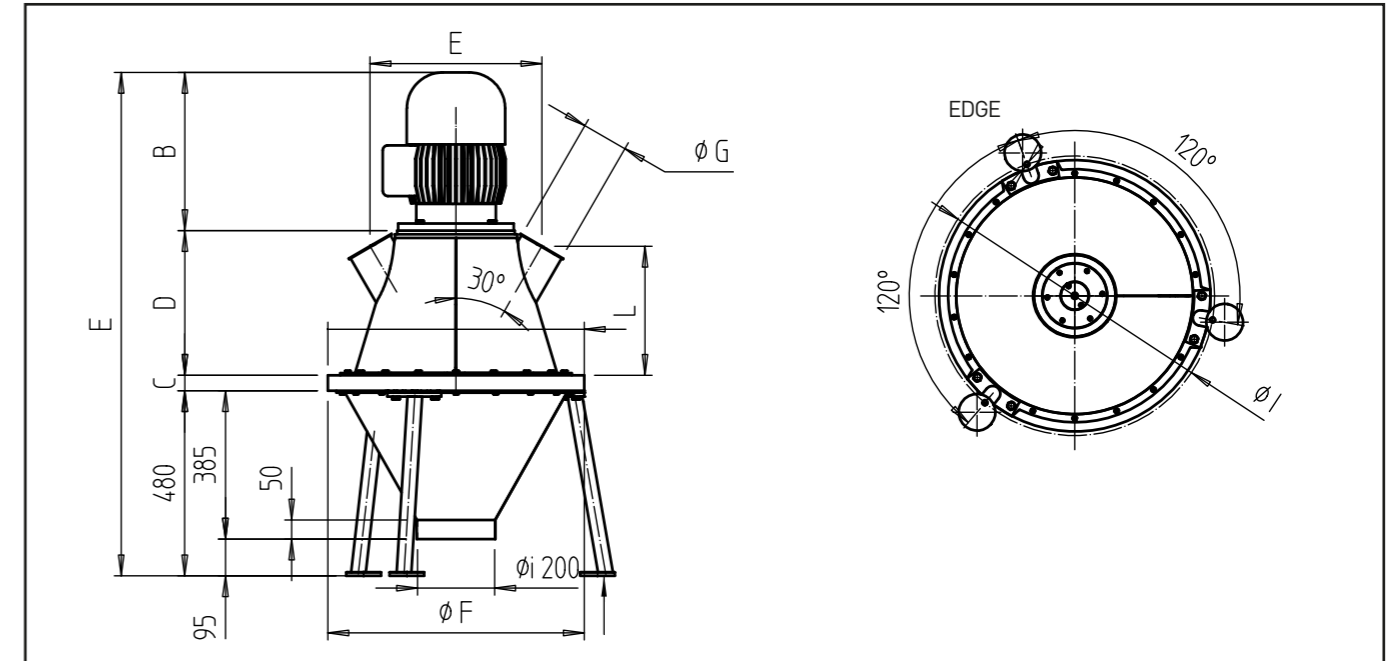


SPD/71

Pulversan Infestation Destroyer

Machine with gravimetric loading for the disinfection of grain and flour from insects and eggs. Structure in welded metal sheet; impeller with two steel disks separated by a double rod crown. Impact ring, coaxial to the impeller, mounted to the unloading hopper.



	Type	Power KW	Capacity t/h	A	B	C	D	F	G	I	L	Volume mc	Weight Kg
Flour	SPD71	5,5	3	1306	410	40	376	665	120	685	335	0,96	201
		7,5	4	1306	410	40	376	665	120	685	335		206
		9	5	1306	410	40	376	665	120	685	335		210
		11	7	1588	558	90	460	740	150	810	415		214
		15	9	1588	558	90	460	740	150	810	415		214
Wheat	SPD71	5,5	5	1317	417	40	380	665	120	685	335	219	
		7,5	10	1317	417	40	380	665	120	685	335	223	
		15	15	1588	558	90	460	740	150	810	415		

Units = mm